

## Identification

|                  |                     |                 |                        |
|------------------|---------------------|-----------------|------------------------|
| Type Designation | <b>LR3 48-3/115</b> | Type of reactor | <b>3~ Line Reactor</b> |
| Series           | <b>LR3</b>          | Core Rating     | <b>2886.72 var</b>     |
| Core type        | <b>3UI 114/64</b>   | Drive HP        | <b>75</b>              |

## Technical Data

|                        |        |                  |
|------------------------|--------|------------------|
| No. of phase           |        | <b>3</b>         |
| Circuit type           |        | <b>III0</b>      |
| Rated Voltage          | [ V ]  | <b>480</b>       |
| Rated current          | [ A ]  | <b>115.0</b>     |
| Rated Frequency        | [ Hz ] | <b>50 - 60</b>   |
| Impedance              | [ % ]  | <b>3.0</b>       |
| Inductance L           | [ mH ] | <b>0.193</b>     |
| L tolerance            | [ % ]  | <b>±10%</b>      |
| Linearity              |        | <b>137% In</b>   |
| Losses (typical)       | [ W ]  | <b>150.26</b>    |
| Test voltage           | [ kV ] | <b>4.0</b>       |
| Isolation System Class |        | <b>class 155</b> |

## Operating conditions

|                      |        |                      |
|----------------------|--------|----------------------|
| Ambient temperature  | [ °C ] | <b>-10 ... +40°C</b> |
| Ambient temperature  | [ F ]  | <b>14 ... 104°F</b>  |
| Type of cooling      |        | <b>AN</b>            |
| Operating conditions |        | <b>24/7</b>          |

## Standards

|   |       |
|---|-------|
| Type:   | Signs |
| VDE 0570 / EN 61 558 Part 1<br>VDE 0570 / EN 61 558 Part 20 |       |

## Approvals

|           |  |         |      |
|-----------|--|---------|------|
| UL 508    |  | E219022 | NMTR |
| UL 5085-1 |  | E103521 | XPTQ |

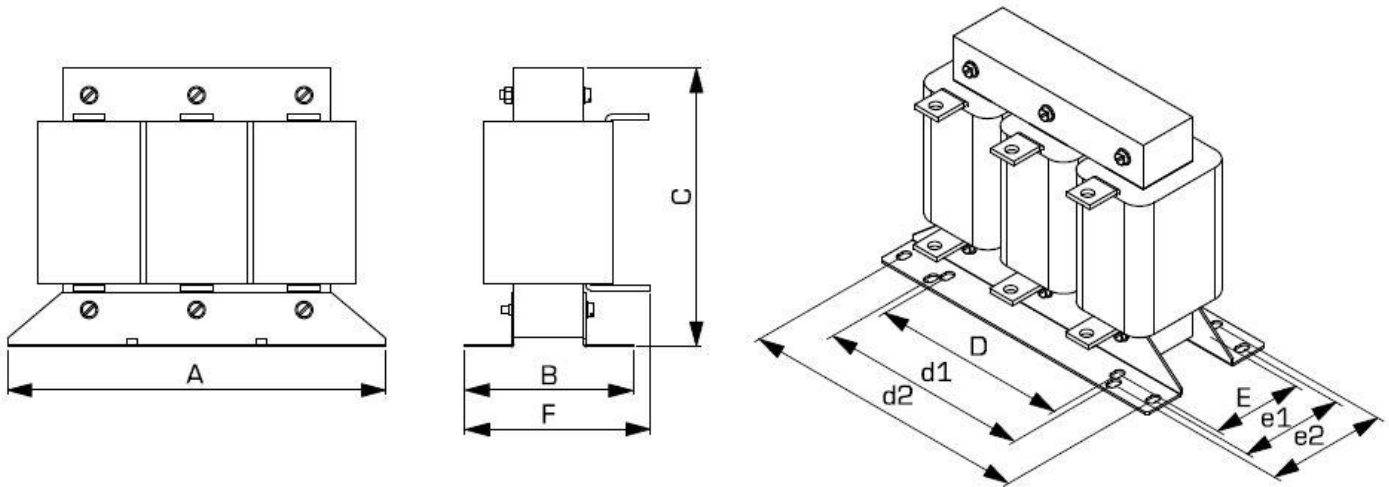
**Product Ident**  
LR3 48-3/115

# Line-Reactor Datasheet



Variations may apply due to material's and production's tolerances. Objected to modifications without notice.

## Dimensions / Mounting in Inches



| A     | B    | C*   | F | D    | d1   | d2   | E    | e1   | e2   | Drill |
|-------|------|------|---|------|------|------|------|------|------|-------|
| 10.51 | 5.98 | 7.91 | - | 6.93 | 7.09 | 9.80 | 3.86 | 4.80 | 4.20 | 0.28  |
|       |      |      |   |      |      |      |      |      |      | 0.28  |
|       |      |      |   |      |      |      |      |      |      | 0.28  |

\* = Typical variable air gab

## Weight

|        |         |              |
|--------|---------|--------------|
| Weight | [ kg ]  | <b>21.38</b> |
|        | [ lbs ] | <b>47.13</b> |

## Notes

Technical specifications in the drawing are not binding. General tolerance to DIN 7168-m. Subject to change.  
Mounting plates also available in stainless steel as OEM application. Ask for details.

|                |          |  |           |        |
|----------------|----------|--|-----------|--------|
| Original Date: | 15/04/20 | Observe protection clause to ISO 16016 | Index     | 0      |
| Name:          | Lüning   |  | Doc. type |        |
| Date:          | 15/05/06 |  |           |        |
| Checked:       | Wesner   |  | Pages     | 2 of 2 |